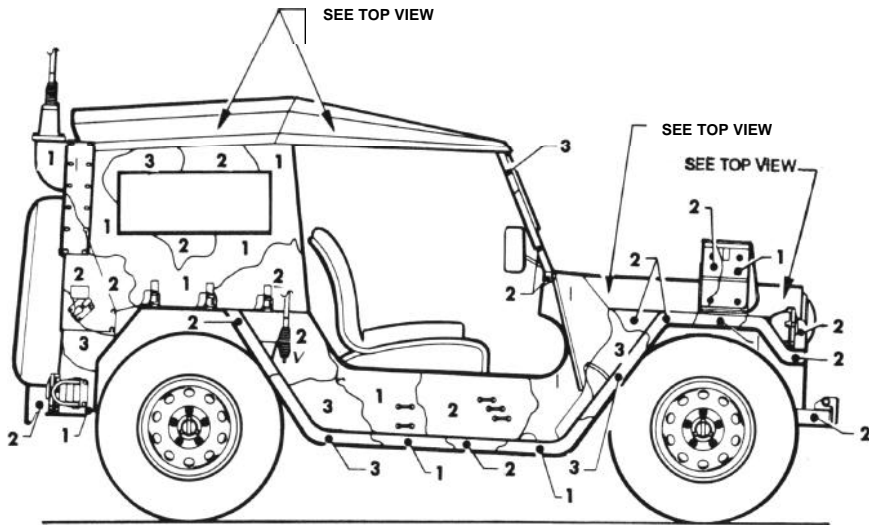
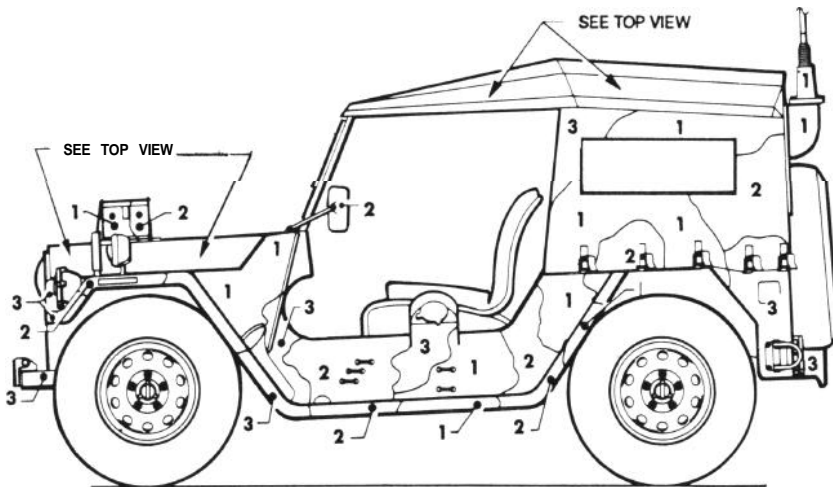


Figure 34. Truck, utility 1-1/4ton MI51A2. of 2)



RIGHT SIDE VIEW



M151A2

LEFT SIDE VIEW

Figure 34. Truck, utility: 1 1/4 ton M151A2. (2 of 2)